



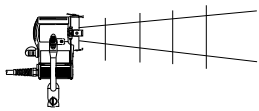
Pollux 5000W

Features

- Powerful, lightweight 5000W Studio Fresnel
- Dual filament version available for 2.5kW/5kW or 1.25kW/2.5kW lamp
- Manual or pole-operated versions
- Manual version suitable for location lighting
- Stirrup fitted with 29mm spigot
- Rotary power switch fitted

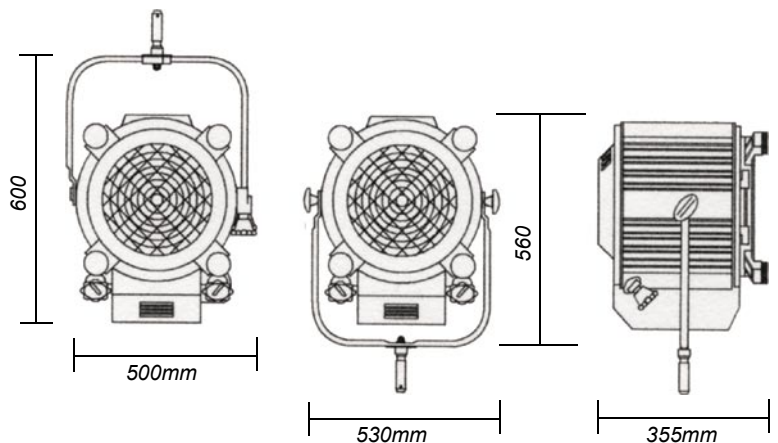


Photometric Data



Typical performance based on CP29 5000W lamp

Spot (12.5°)				
Throw (m)	15	20	25	
Beam Ø (m)	3.28	4.38	5.47	
Lux	2377	1337	856	
Flood (56.5°)				
Throw (m)	10	15	20	25
Beam Ø (m)	10.7	16.1	21.5	26.8
Lux	1010	448	252	162





Introduction

This powerful, lightweight 5000W studio fresnel is available in both manual and pole operated versions. The Pollux manual version is also suitable for location lighting in film and television.

Ordering Information

Cat No	Description	Accessories	
26340	Pollux 5kW MO supplied with barndoor, colour frame and stirrup with head mounted rotary switch with 7m cable BE, 29mm spigot	28074	4 leaf barndoor
		28097	colour frame
		28307	scrim set (one double scrim, one single scrim, one half double scrim, one half single scrim)
26340E	Pollux 5kW MO Rental supplied with barndoor, colour frame and stirrup, without on/off switch, 1.5m cable, no spigot, 13mm hole	82002	safety bond, 50kg
		82012	hook clamp for 29mm spigot (50mmØ barrel)
26350	Pollux 5kW PO supplied with barndoor, colour frame and stirrup, with head mounted rotary switch with 7m cable BE, 29mm spigot	82013	hook clamp for 29mm spigot (30/50mmØ barrel, SWL 50kg)
26360	Pollux 2.5/5kW MO		
26370	Pollux 2.5/5kW PO		

Operational Data

Pollux 2.5/5kW	
Weight (head & stirrup)	16.5kg
Packed weight	22.0kg
Packed volume	0.159m ³
Lens diameter	250mm
Filter cut size diameter	405mm
Range	11° to 62°
Pollux 5kW	
Weight (head & stirrup)	16.5kg
Packed weight	22.0kg
Packed volume	0.159m ³
Lens diameter	250mm
Filter cut size diameter	405mm
Range	12.5° to 56.5°
Mounting	29mm spigot (not 26340E)
Safety	EN60 598 2-17

Lamp Data

Lamp code	CP29	CP32	CP58
	5000W	2500/5000W	1250/2500W
LCL (mm)	165	165	165
Base	G38	GX38q	GX38q
Lumens	135,000	59,000/127,000	27,000/59,000/91,000
Rated life hours (H)	500	300	
Colour temp. (K)	3200	3200	3200

Strand Lighting Limited
Mitchelston Industrial Estate,
Kirkcaldy, Fife, KY1 3LY
United Kingdom
Tel: +44 (0)1592 656400
Fax: +44 (0)1592 653528

Strand Lighting Italia srl
Via delle Gardenie 33
00040 Pomezia-Roma, Italy
Tel: +39 06 919631
Fax: +39 06 9147136

Strand Lighting Asia
20/F Delta House, 3 On Yiu Street
Shatin, N.T. Hong Kong
Tel: + 852 2757 3033
Fax: + 852 2757 1767

Strand Lighting Limited
Unit 3, Hammersmith Studios,
Yeldham Road, London, W6 8JF
United Kingdom
Tel: +44 (0)1592 656400
Fax: +44 (0)20 8735 9799

Strand Lighting GmbH
Kurfürstendamm 70
10709 Berlin, Germany
Tel: +49 30 707 9510
Fax: +49 30 707 95199



The Company reserves the right to make any variation in design or construction to the equipment described. E&OE
© Strand Lighting Ltd 2005
Strand™, Strand Lighting™, Strand Quartzcolor™ are trademarks of Strand Lighting Limited and Strand Lighting Inc.